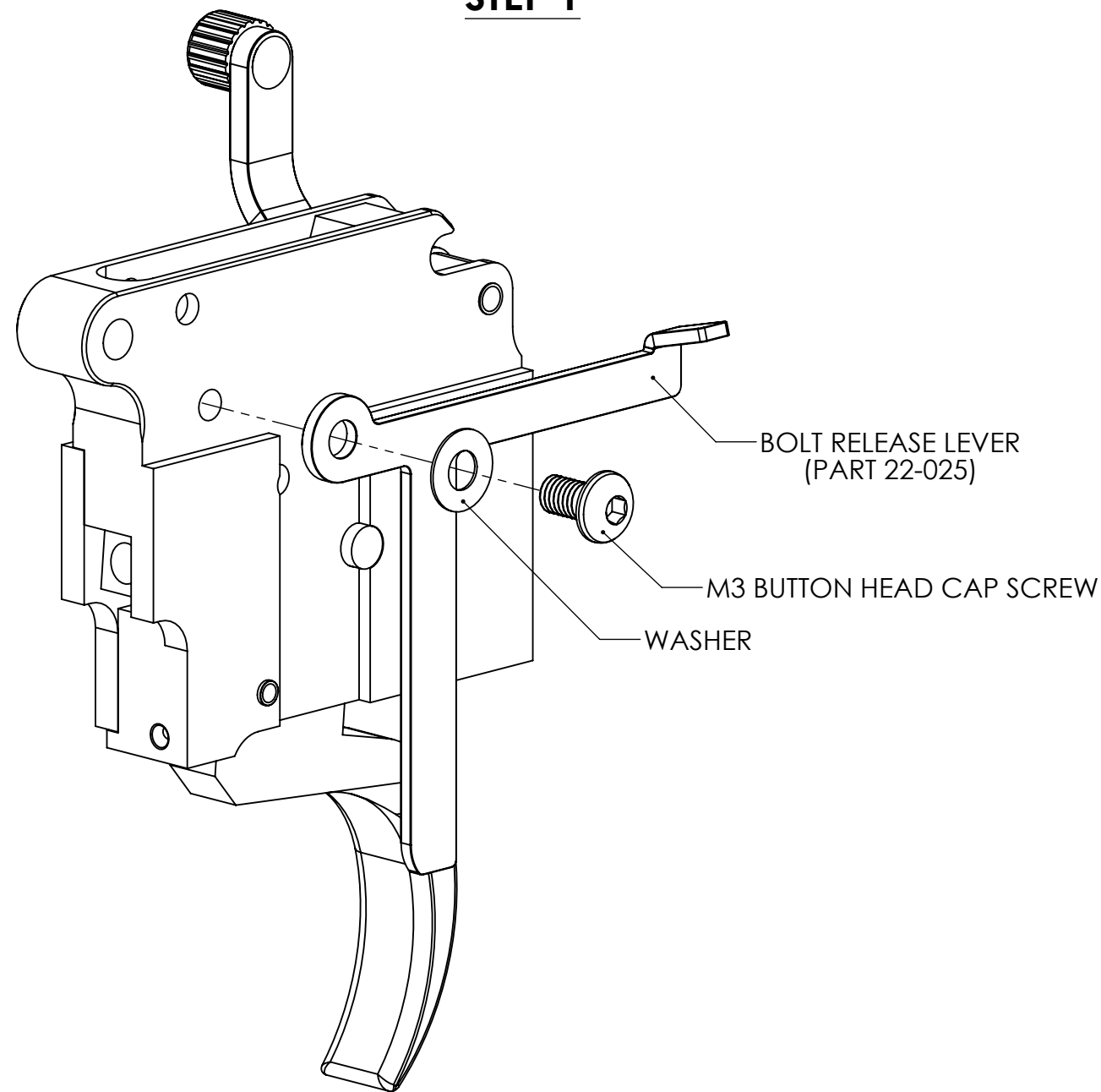
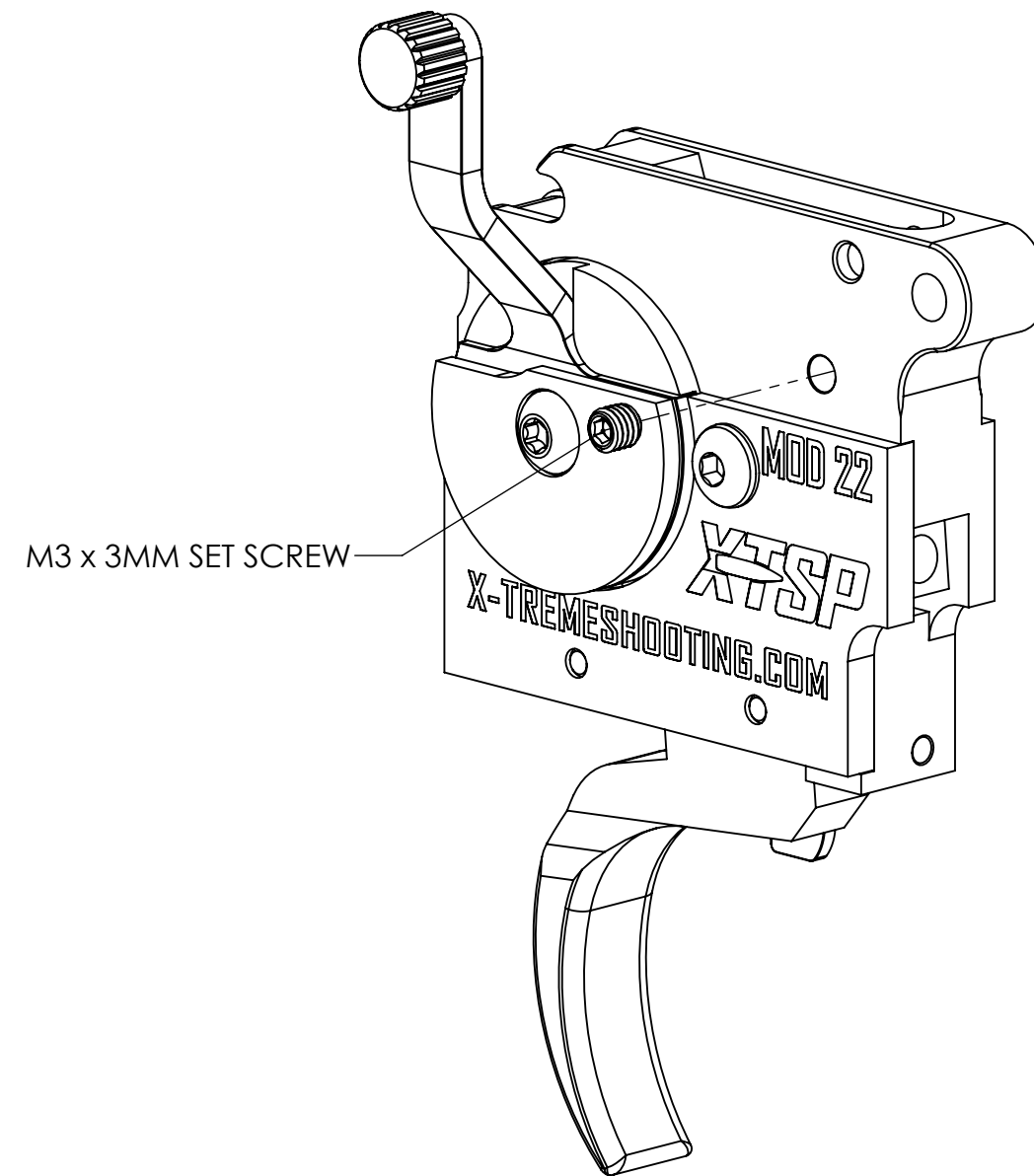


STEP 1



STEP 2



The bolt release lever for the Model 22 trigger is designed to engage the receiver-mounted bolt stop on Remington 700 rifle actions, and other compatible Remington actions using the Model 700 action bolt stop design. Because most, if not all, Model 700-style action clones available on the market now feature side-mounted bolt stop/release buttons instead, as of 2014 it is no longer included as a standard feature on Model 22 triggers. It is still supplied with the trigger free of charge upon request, for customers intending to install their trigger in a Remington action.

Installation Instructions: The bolt release lever installs on the left side of the trigger. Align the lever with the threaded hole in the trigger body, as shown in step 1. The included washer goes between the lever and the button head cap screw which retains it. Turn the screw in until it stops against the washer and lever, and then back the screw out a fraction of a turn—just enough to allow the lever to move freely, without being able to flex away from the trigger body. Also included with the lever is 3mm length M3 set screw. As shown in step 2, from the other side of the trigger, insert the set screw into the same hole as the button head cap screw, turning it in until it presses hard against the cap screw; this holds the cap screw in place, so that the lever cannot come apart from the trigger.

XTSP P.O. BOX 829
MILFORD, OH 45150
(513) 313-3464

**MODEL 22 TRIGGER
BOLT RELEASE LEVER
INSTALLATION**

SIZE	CAGE CODE
B	5CS56